



FLOORING

DLW FLOORING

Technical Information

12 / 2016

Slip resistance, rating - German Standard BGR 181

The properties of floor coverings relevant for safety of men and material such as

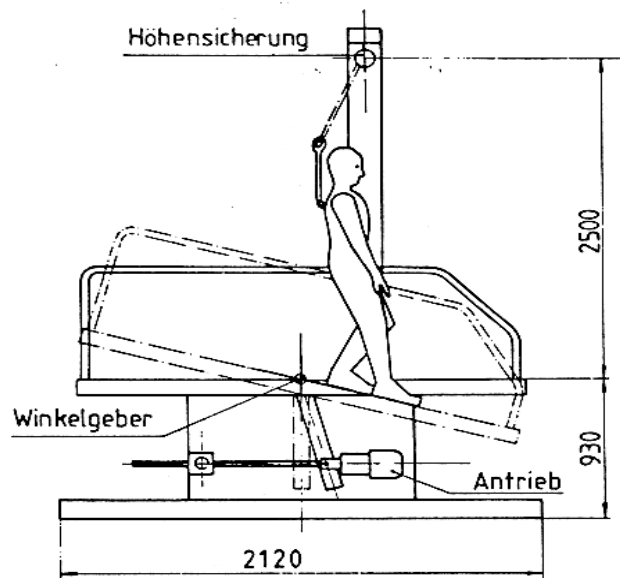
- fire resistance,
- slip resistance and
- electrical insulation

up to now are still being regulated by national standards and demands.

For testing and rating of the slip resistance of floor coverings in Germany there applies the guidelines BGR 181, edited by The National Association of Industrial Cooperation.

This association classifies the working-areas **and** tests and classifies the floorcoverings.

The method for testing floor coverings is the “ramp test”. The testing device is a smooth slab. The angle of this slab can be adjusted from 0 to 45°. A sample (size 100 x 50 cm) of the floorcovering is mounted onto the slab and wetted with 100 ml of mineral oil SAE 10 W 30. Three persons wearing safety shoes walk three times each on the test sample while the angle of the slab is changed. (see illustration below).



DLW Flooring GmbH
Technical Information Support
Stuttgarter Straße 75
D-74321 Bietigheim-Bissingen
Germany

E-mail: service_germany@dlwflooring.com



FLOORING

DLW FLOORING

Technical Information

12 / 2016

The average angle of the altogether 9 walking tests is taken. This average is the basis for the rating of the floor covering.

BGR 181, Classification

from 6° to 10°	R9
> 10° to 19°	R10
> 19° to 27°	R11
> 27° to 35°	R12
> 35°	R13

The higher the rating the better is the slip resistance.

Resilient floor coverings normally reach R9 or R10.

To reach R11 is an exception with resilient floor coverings. For higher ratings ceramic tiles with special surfaces have to be used.